



VASARI™

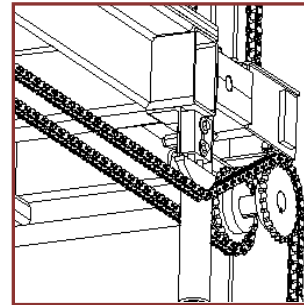
THE PERSONAL PARKING SOLUTION

4-Post Subterranean Parking Lifts - Telescoping



New patent pending technology behind the most revolutionary subterranean residential parking lift in the world.

Autoquip continues to leverage its 60 years of equipment design history and experience to create the patent pending 4-post VASARI™ subterranean parking lifts. By combining the inexpensive power of direct acting hydraulic rams with the repeatable and stable performance of a mechanical equalization system – this 4-Post family of automobile lifts provides a “hydro-mechanical” design solution unique to the industry. The telescoping option is used whenever the basement ceiling height exceeds the garage ceiling height.



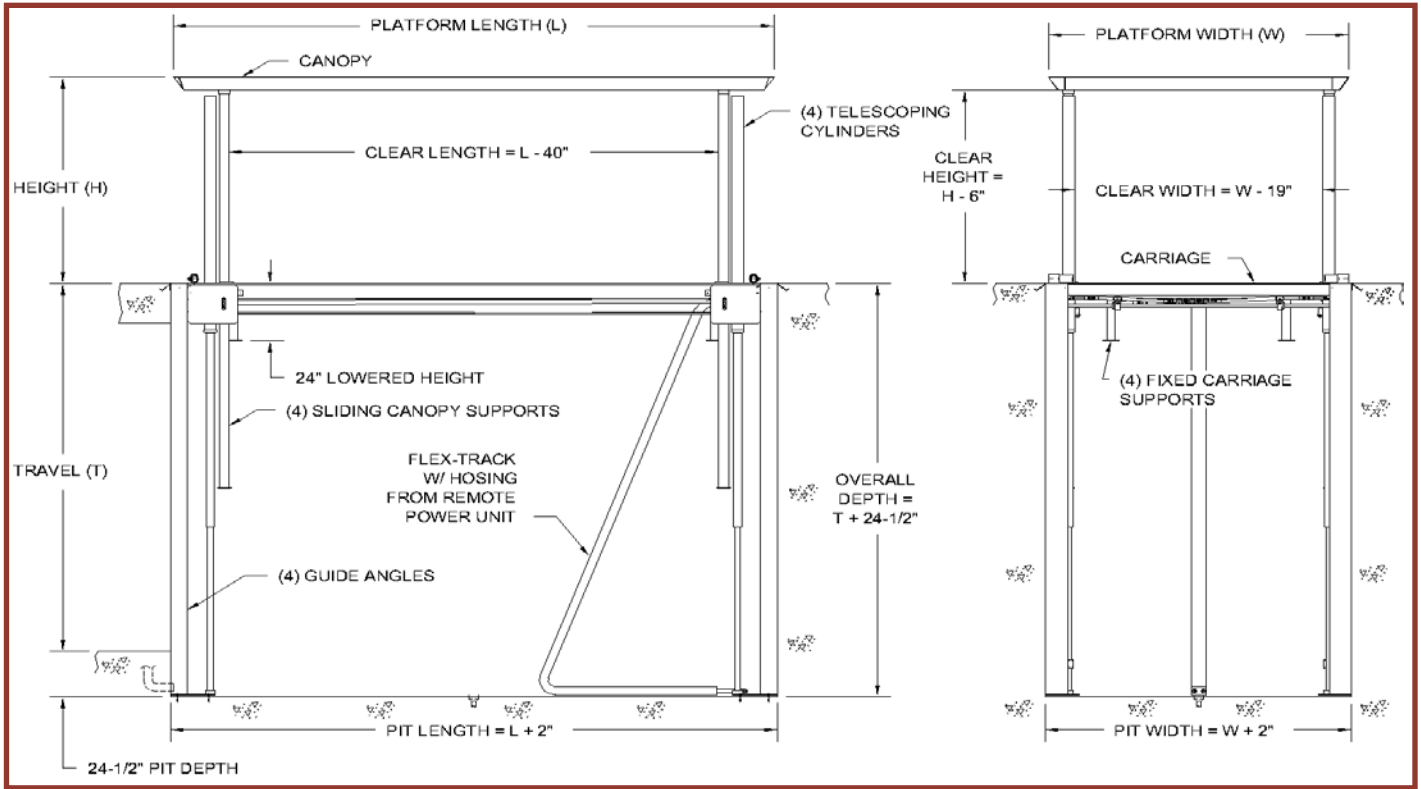
Benefits of 4-Post Telescoping Design:

1. Faster operating speeds – reduced waiting times
2. Less overall weight – lower manufacturing & shipping costs
3. Reduced cylinder forces/stresses – longer lasting lift
4. Largest single component weighs less - Lower handling fees
5. Carriage is “locked” into position by the chains when raised
6. Cylinders located above, not beneath, carriage – easy access
7. Access to the entire area beneath the lift when lowered
8. Added flexibility in architectural design–ceiling height vs. travel

Safest Residential Parking Lift Anywhere

Safety is our number one priority. This perspective has driven us to not only manufacture the highest quality lift in the industry, but more importantly – to offer our customers the safest automotive lift in the world. The VASARI™ Team has considered every potential safety concern and include, as standard, the following safety features with every 4-Post residential parking lift:

1. 18" refuge space beneath entire lift
2. Constant-pressure Up/Down buttons
3. Security key switch station
4. Digital security keypad station
5. Emergency stop button/station
6. Motion detectors – lower level
7. Wireless security cameras (two)
8. Audible “Lift in Motion” alarm
9. Automatic Re-leveling of raised lift
10. Minimum 3:1 design factor of safety
11. Beveled toe guard protection (canopy)
12. Compliant with Consumer Product Safety Act



4-POST TELESCOPING LIFT SPECIFICATIONS

Vertical Travel Range "T" (in.)	Lifting Capacity (lbs.)	VASARI™ Model	Lowered Height (in.)	Standard Platform "W" x "L" (Vehicle Clearance) (in.)	Up Speed (sec)	Down Speed (sec)	230V – 1ph HP / Amps	Ship Wt. (lbs.)	Floor Press. (psi)	Horiz Reaction Force (lbs)
72 - 144	7,000	144VL4T70	24	115 x 216 (96W)	60	35	10 / 50	8,000	90	500
84 - 156	7,000	156VL4T70	24	115 x 216 (96W)	65	38	10 / 50	8,100	91	500
96 - 180	7,000	180VL4T70	24	115 x 216 (96W)	75	44	10 / 50	8,200	92	500

To Learn More, Contact:

VASARI Parking Solutions
www.vasari-lifts.com
 Toll Free 877-333-9334