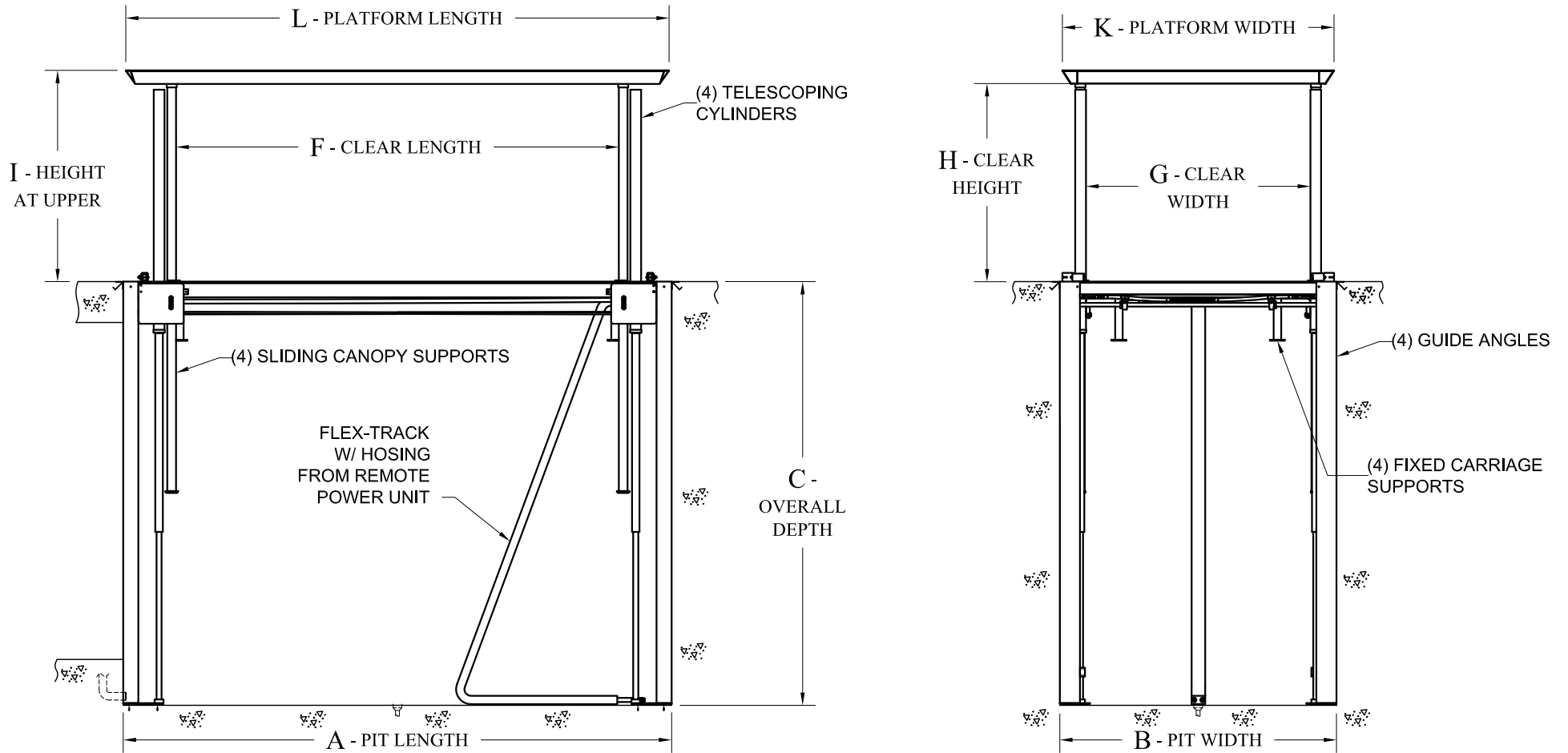


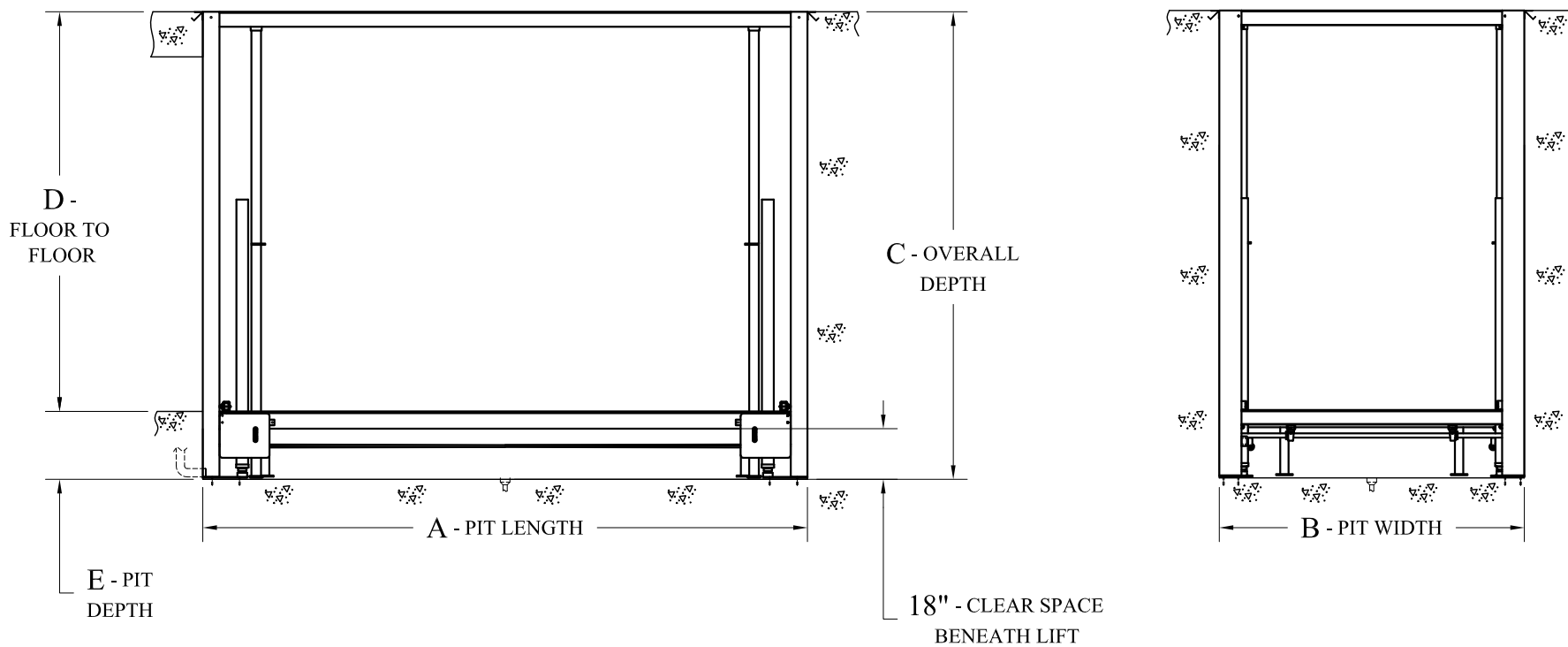
4-POST SUBTERRANEAN LIFT - TELESCOPING
GENERAL ARRANGEMENT
(PATENT PENDING)



(NOT TO SCALE)
PROPOSAL DRAWING
QUOTE NO. _____
REV. 0 - 07/26/10
COPYRIGHT RESERVED 2010
AUTOQUIP CORPORATION
82602540

ELEVATION VIEW
LIFT IN RAISED POSITION

**4-POST SUBTERRANEAN LIFT - TELESCOPING
GENERAL ARRANGEMENT
(PATENT PENDING)**

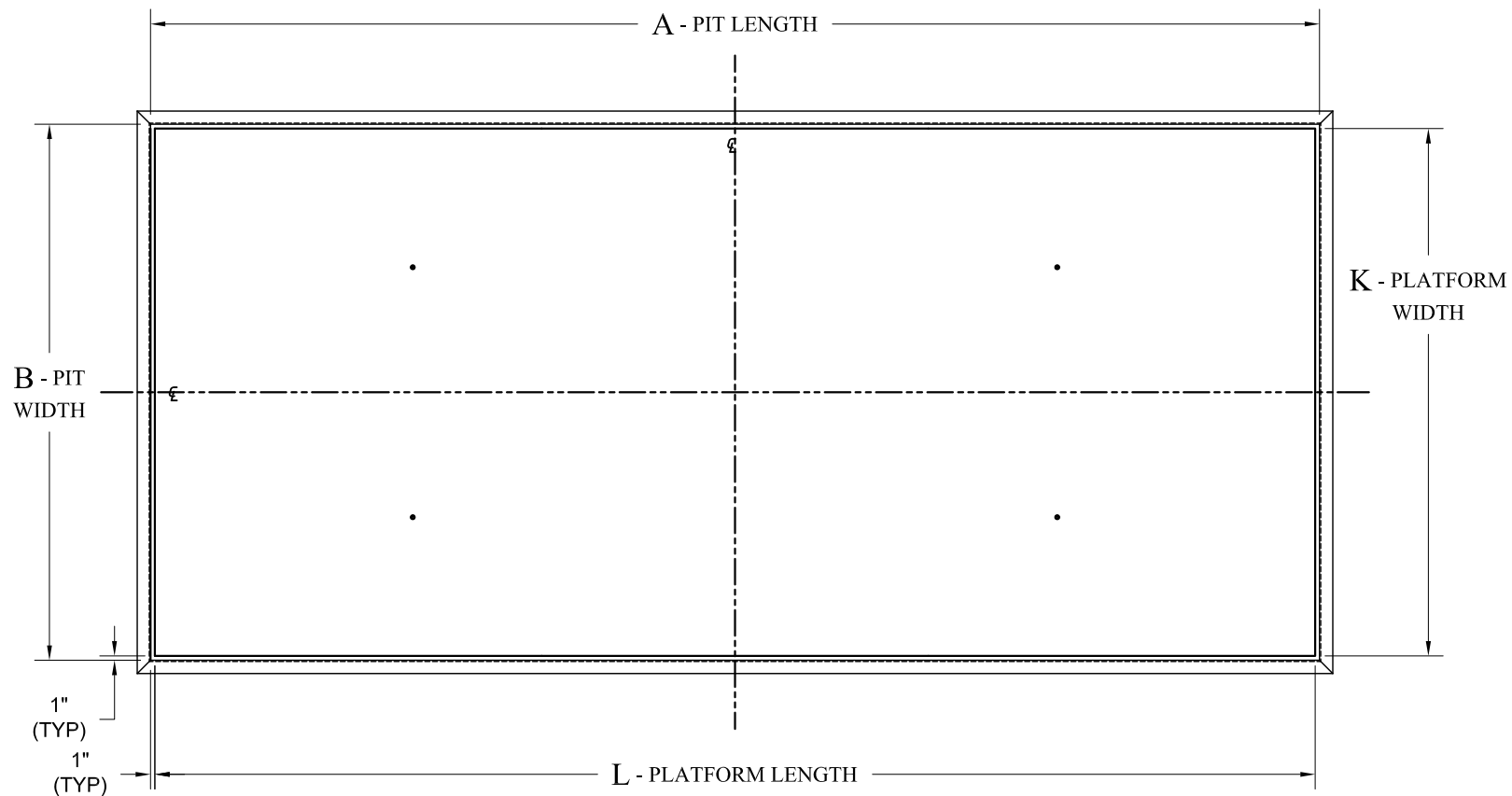


(NOT TO SCALE)
 PROPOSAL DRAWING
 QUOTE NO. _____
 REV. 0 - 07/26/10
 COPYRIGHT RESERVED 2010
 AUTOQUIP CORPORATION
 82602540

**ELEVATION VIEW
LIFT IN LOWERED POSITION**

Autoquip[®]
 AUTOQUIP CORP.
 1058 W. INDUSTRIAL AVE.
 GUTHRIE, OK 73044-1058
 888-811-9876 WWW.AUTOQUIP.COM

4-POST SUBTERRANEAN LIFT - TELESCOPING
GENERAL ARRANGEMENT
(PATENT PENDING)

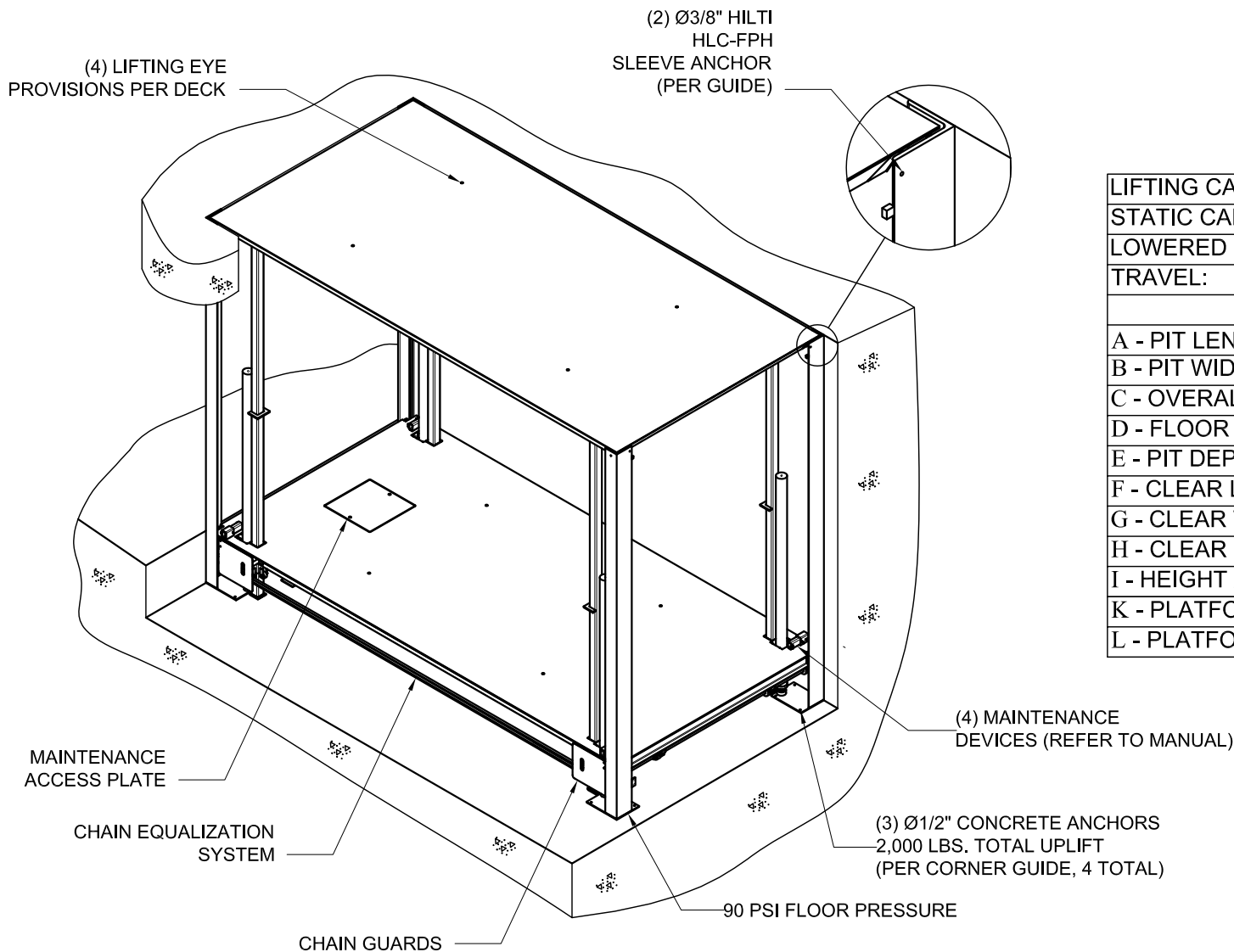


TOP VIEW
CANOPY - UPPER FLOOR OPENING

(NOT TO SCALE)
PROPOSAL DRAWING
QUOTE NO. _____
REV. 0 - 07/26/10
COPYRIGHT RESERVED 2010
AUTOQUIP CORPORATION
82602540

Autoquip
AUTOQUIP CORP.
1058 W. INDUSTRIAL AVE.
GUTHRIE, OK 73044-1058
888-811-9876 WWW.AUTOQUIP.COM

**4-POST SUBTERRANEAN LIFT - TELESCOPING
GENERAL ARRANGEMENT
(PATENT PENDING)**



LIFTING CAPACITY:		LBS. TOTAL
STATIC CAPACITY:		LBS. PER DECK
LOWERED HEIGHT:		INCHES
TRAVEL:		INCHES (APPROX)

DIMENSIONS KEY	
A - PIT LENGTH	
B - PIT WIDTH	
C - OVERALL DEPTH	
D - FLOOR TO FLOOR	
E - PIT DEPTH	
F - CLEAR LENGTH	
G - CLEAR WIDTH	
H - CLEAR HEIGHT	
I - HEIGHT AT UPPER	
K - PLATFORM WIDTH	
L - PLATFORM LENGTH	

EQUATION KEY	
A = L + 2"	
B = K + 2"	
E = M + 1/2"	
F = L - 40"	
G = K - 19"	
H = I - 6"	

(NOT TO SCALE)
PROPOSAL DRAWING
QUOTE NO. _____
REV. 0 - 07/26/10
COPYRIGHT RESERVED 2010
AUTOQUIP CORPORATION
82602540

**ISOMETRIC VIEW
LIFT IN LOWERED POSITION**