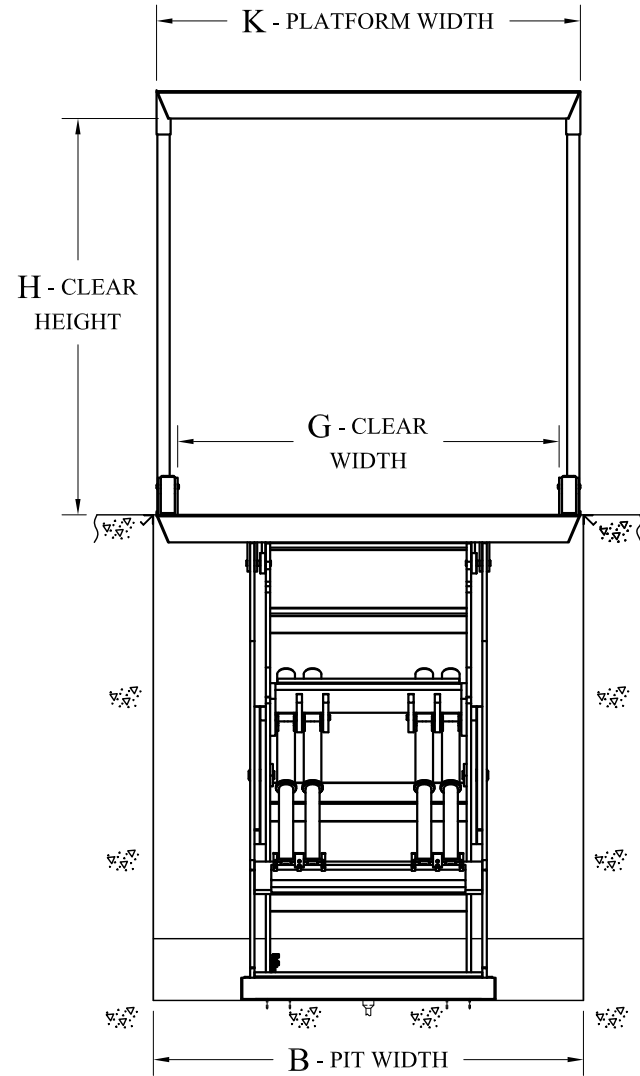
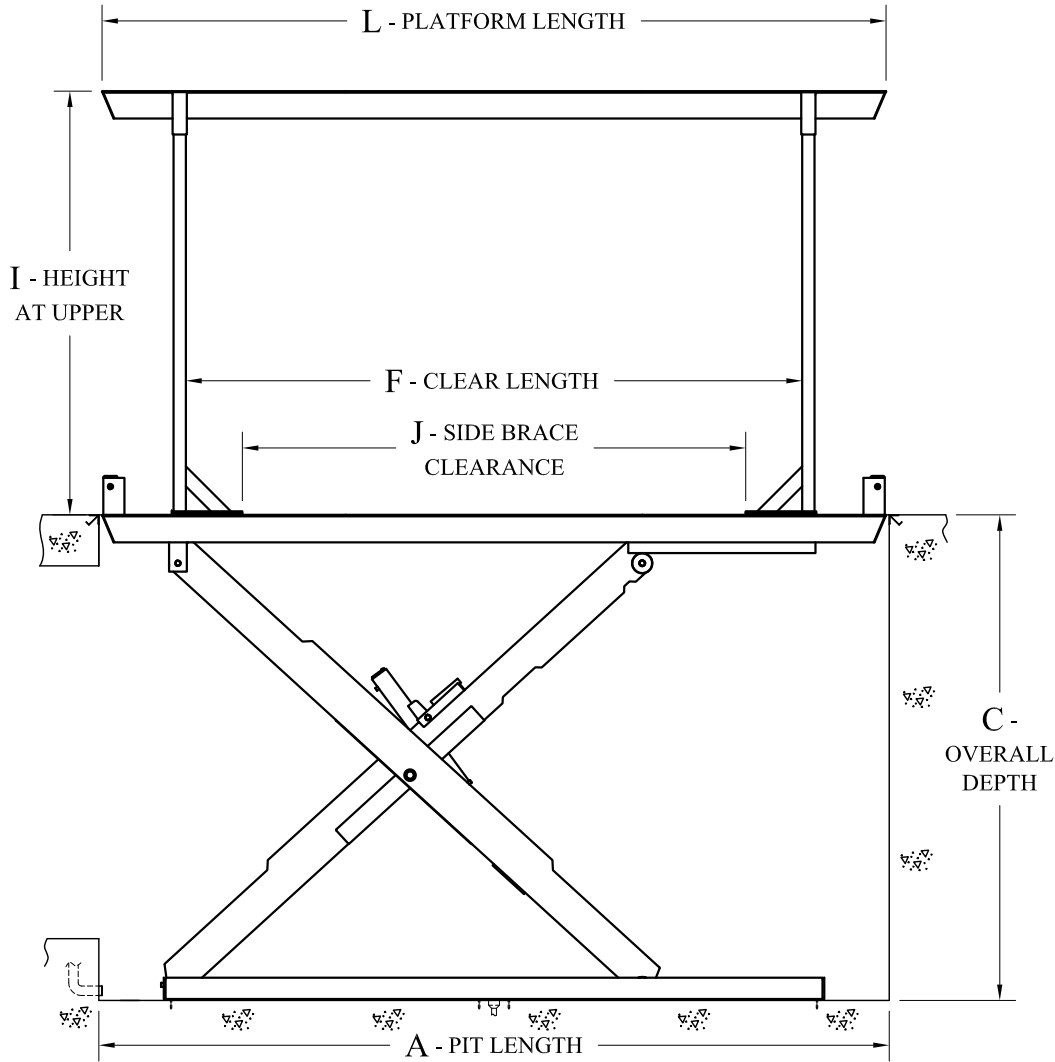


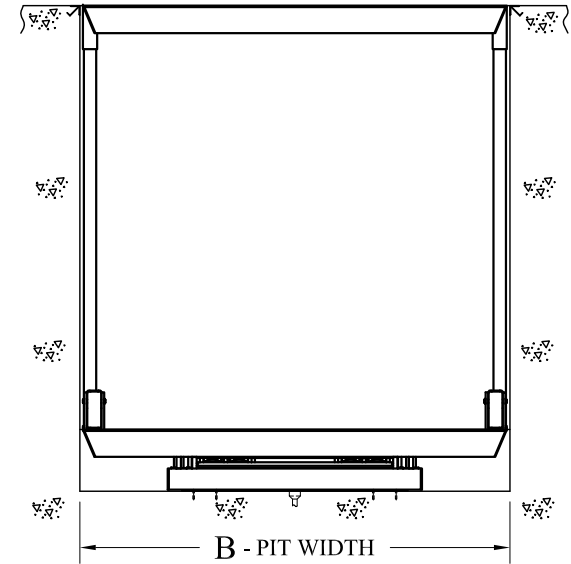
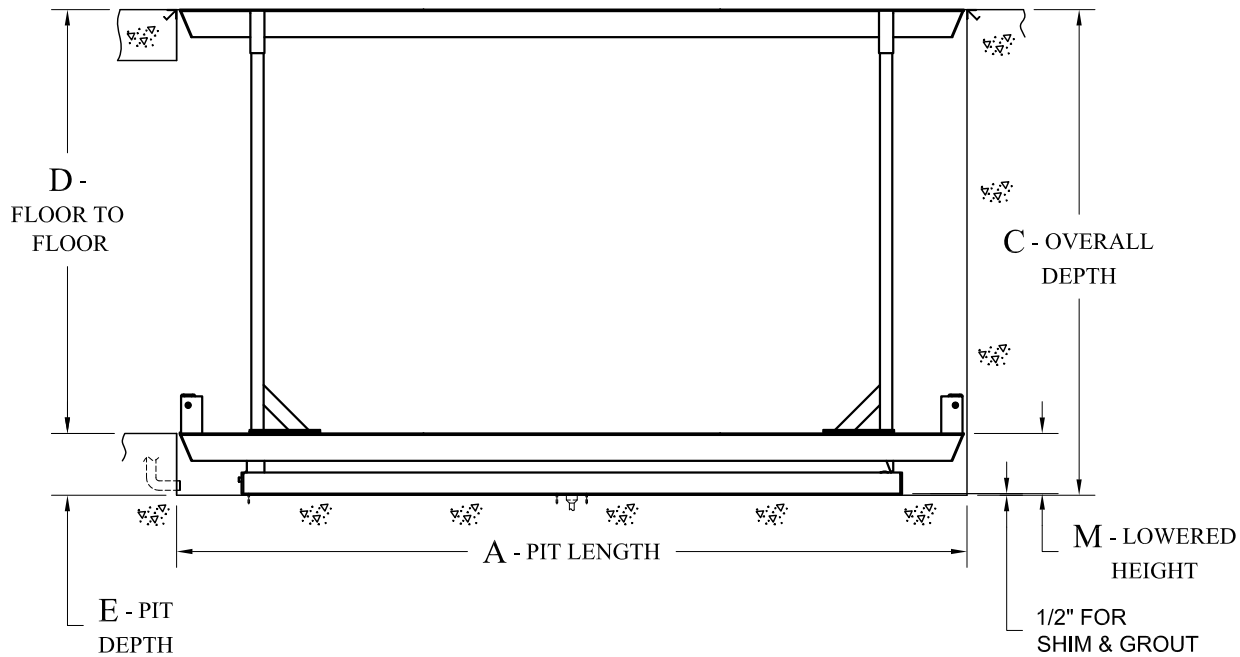
**SUBTERRANEAN SCISSORS LIFT  
W/ STATIC CANOPY  
GENERAL ARRANGEMENT**



**ELEVATION VIEW  
LIFT IN RAISED POSITION**

(NOT TO SCALE)  
PROPOSAL DRAWING  
QUOTE NO. \_\_\_\_\_  
REV. 1 - 06/30/09  
COPYRIGHT RESERVED 2009  
AUTOQUIP CORPORATION  
82602310

**SUBTERRANEAN SCISSORS LIFT  
W/ STATIC CANOPY  
GENERAL ARRANGEMENT**

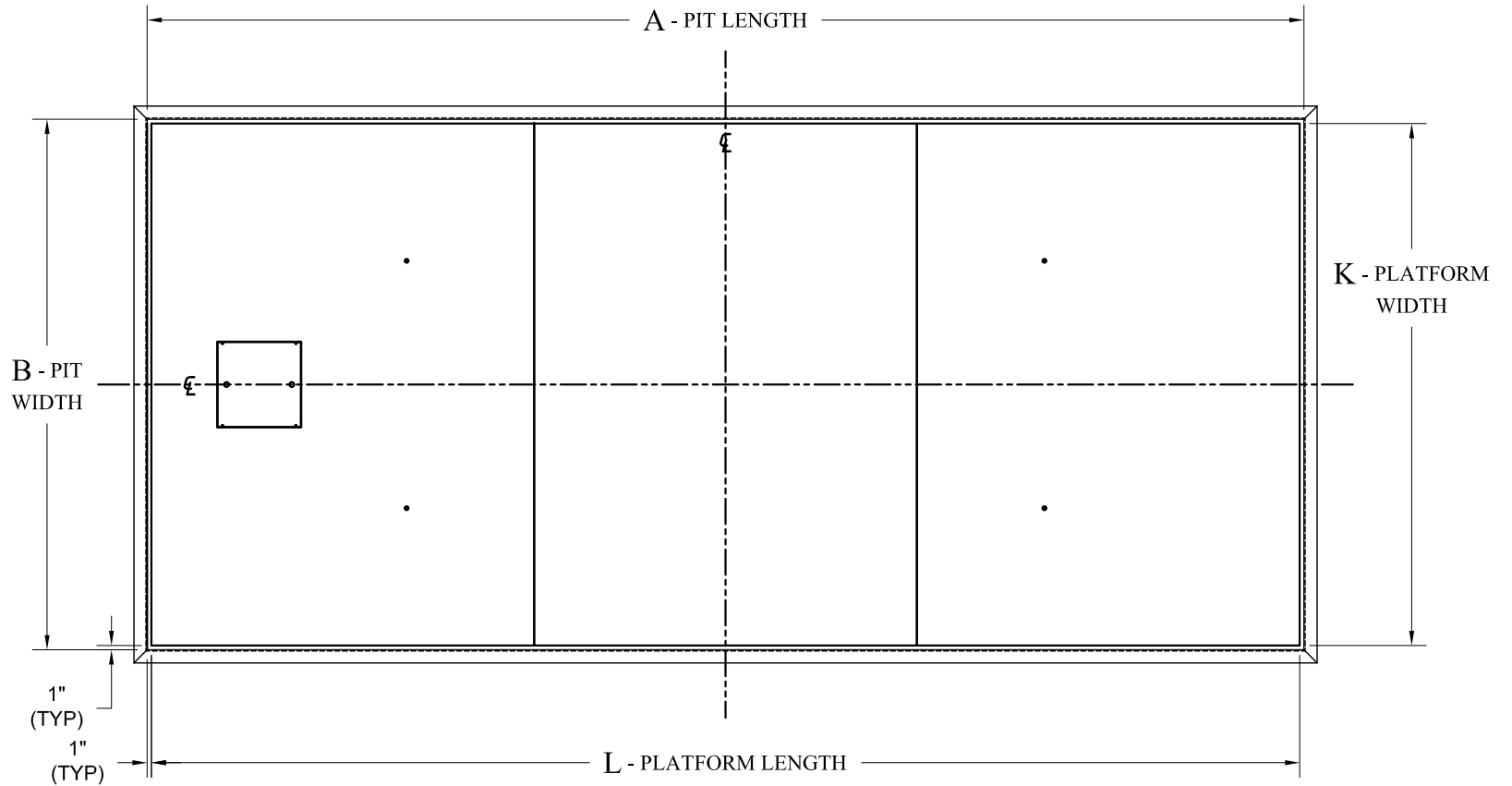


**ELEVATION VIEW  
LIFT IN LOWERED POSITION**

(NOT TO SCALE)  
PROPOSAL DRAWING  
QUOTE NO. \_\_\_\_\_  
REV. 1 - 06/30/09  
COPYRIGHT RESERVED 2009  
AUTOQUIP CORPORATION  
82602310

***Autoquip***  
AUTOQUIP CORP.  
1058 W. INDUSTRIAL AVE.  
GUTHRIE, OK 73044-1058  
888-811-9876 WWW.AUTOQUIP.COM

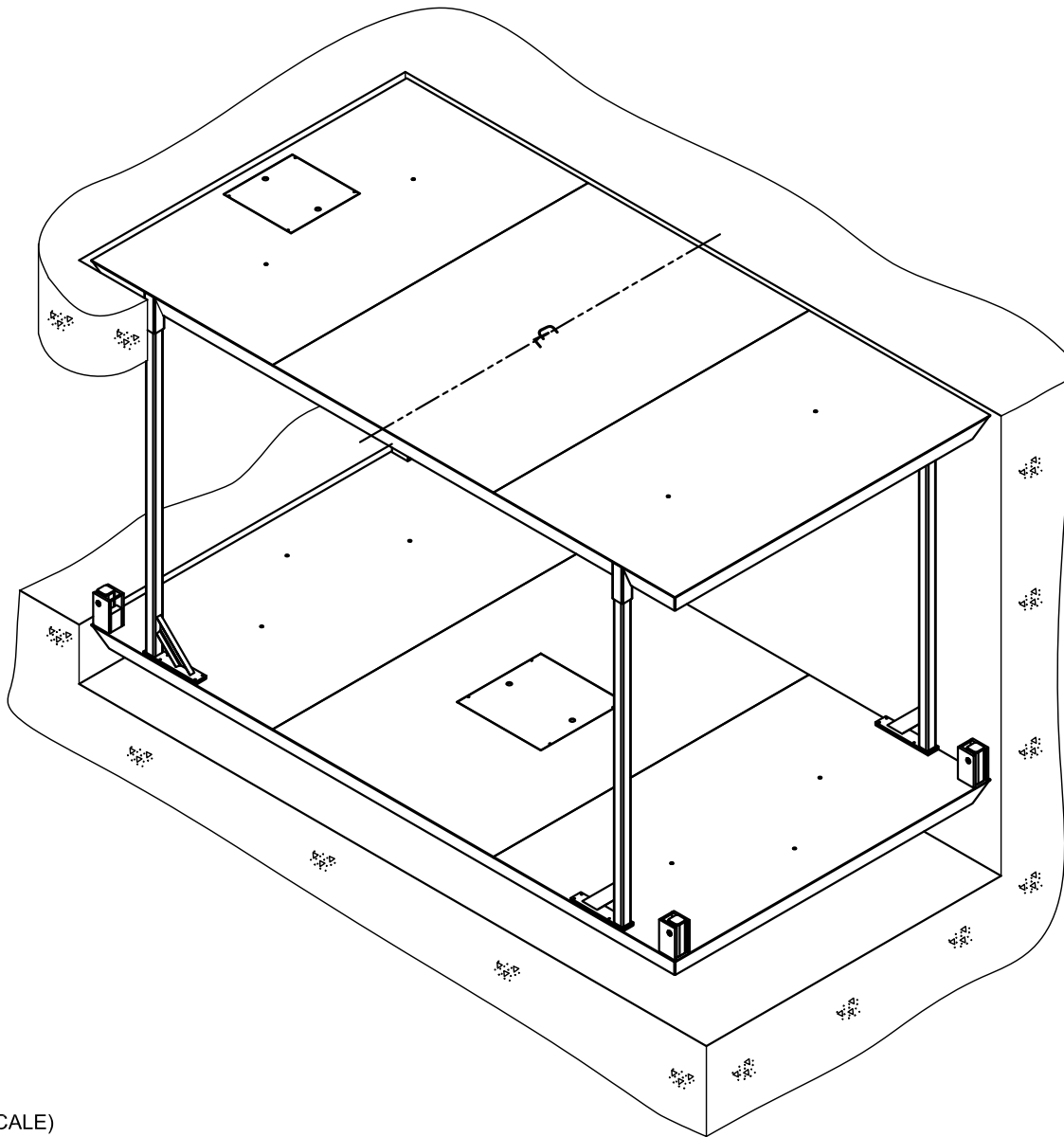
**SUBTERRANEAN SCISSORS LIFT  
W/ STATIC CANOPY  
GENERAL ARRANGEMENT**



**TOP VIEW  
CANOPY - UPPER FLOOR OPENING**

(NOT TO SCALE)  
 PROPOSAL DRAWING  
 QUOTE NO. \_\_\_\_\_  
 REV. 1 - 06/30/09  
 COPYRIGHT RESERVED 2009  
 AUTOQUIP CORPORATION  
 82602310

**SUBTERRANEAN SCISSORS LIFT**  
**W/ STATIC CANOPY**  
**GENERAL ARRANGEMENT**



**ELEVATION VIEW**  
**LIFT IN RAISED POSITION**

LIFTING CAPACITY:		LBS. TOTAL
STATIC CAPACITY:		LBS. PER DECK
TRAVEL:		INCHES (APPROX)

**DIMENSIONS KEY**

A - PIT LENGTH	
B - PIT WIDTH	
C - OVERALL DEPTH	
D - FLOOR TO FLOOR	
E - PIT DEPTH	
F - CLEAR LENGTH	
G - CLEAR WIDTH	
H - CLEAR HEIGHT	
I - HEIGHT AT UPPER	
J - FLOOR CLEARANCE	
K - PLATFORM WIDTH	
L - PLATFORM LENGTH	
M - LOWERED HEIGHT	

**EQUATION KEY**

A = L + 2"

B = K + 2"

E = M + 1/2"

F = L - 52"

G = K - 12"

H = I - 8"

J = L - 77"

(NOT TO SCALE)  
 PROPOSAL DRAWING  
 QUOTE NO. \_\_\_\_\_  
 REV. 1 - 06/30/09  
 COPYRIGHT RESERVED 2009  
 AUTOQUIP CORPORATION  
 82602310